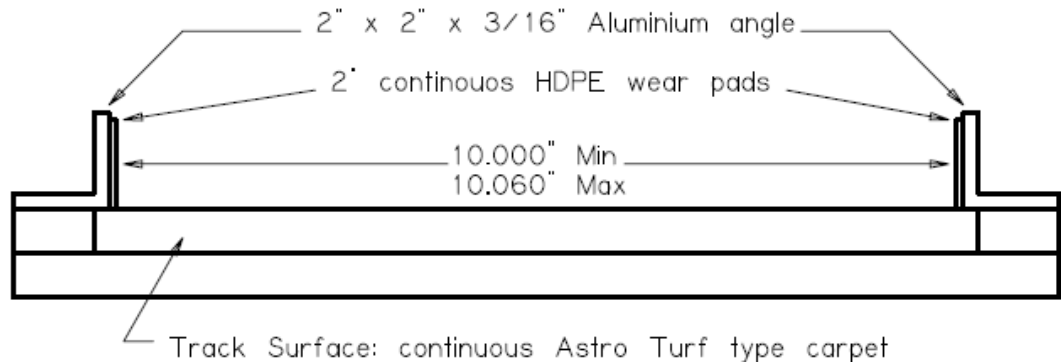


Tractor Pull

Effective January 16, 2010

- Code: TPM
 Control: Must have easily accessible and identifiable on/off switch.
 Open to: All
 Max Robot Size: 10" wide +0.000", 14" long.
 Weight limit: 12 lbs
 Size of Playing Field: 24ft long x 10" wide (see details below).
 Explanation: The object of this competition is for your tractor to pull the sled along 24 ft. of carpeted track in less than 2 minutes. As the sled is pulled forward the weight is shifted progressively from above the wheels at the back of the sled to above the skid near the front of the sled. As this weight is shifted forward so the friction is increased. The track has sides so there is no need to be able to steer the tractor, but it must be equipped with some form of low-friction guides to help keep the tractor within the guides.

TRACK CROSS SECTION



Rules:

- All transmitting radios will be impounded except for the competing vehicle.
- For tethered vehicles; the tether cable must not foul the track, nor be used to pull the vehicle forward.
- Wheelie bars are permitted.
- Added weights must be firmly attached.
- The tread may be any style but may only be composed of either rubber, silicone, latex, flexible urethane or similar thermoplastic elastomer.
- No metal, plastic or fiber spikes, tire chains, hook and loop or similar device may be added or attached to any driven tire.
- Liquid or chemical tire traction compounds are not permitted.
- Each vehicle will be weighed before competing and may also be weighed after a pull, and if found to be overweight, that pull is void.
- Each puller has the option to call for a restart if the tractor is stopped before the sled reaches the 5 ft. "Default Line". However, he/she must re-pull immediately. No repairs or battery recharging will be permitted. Each puller is allowed one re-start only.
- Start and finish of each pull shall be determined by an official starter using an audible &/or visual signal (e.g., whistle, flags, lights).
- All robots must pull in each weight/round until maximum pull weight is achieved.
- Each robot is expected to cover the full 24ft. track within a two-minute time limit. If a vehicle has not completed the distance prior to the two-minute mark, it will be signaled to stop and final measurement taken from that point. If a vehicle has been stopped by the sled before the end of the track, final measurement will be taken from that point.

- Distance pulled will be measured from the front of the sled to the starting line.
- Ties will be broken by adding weight to the sled and re-pulling.
- Intentional jerking of the sled will disqualify the contestants from that pull. Intentional jerking will be determined by the track officials.
- If the sled malfunctions at any time during the pull, that pull will be null and void. The puller will be permitted to recharge his/her batteries and re-pull at a time determined by the track officials. Sled malfunctions shall be determined by track officials ONLY.
- The decisions of the Head Track Official or Event Director are final and cannot be overruled.
- On- or Off-track repair time limits are to be decided upon by the Event Director prior to the start of the event and shall be announced to the drivers.
- No production type R/C Pulling vehicle will be allowed to compete in the MRG Tractor Pull. However, they may (at the discretion of the Event Director) be allowed to pull exhibition only.

Batteries:

- No unsealed or vented batteries containing liquid acid compounds will be allowed.
- No Lithium Ion, Lithium Polymer or Fuel Cells are allowed.

Hitch Height:

- Maximum hitch height - 4" (measured from ground).
- Hitch: Must be mounted to the vehicle in such a way as not to permit any movement either longitudinally, vertically or horizontally during a pull.
- Adjustable hitches are permitted, but must be locked in position when pulling.
- The hitch must be constructed of strong, rigid material and incorporate a minimum of 1/4" hole located no more than 1/4" from the rearmost end of the hitch drawbar (i.e., the sled pull chain must have a clear path from the hook to the sled with no interference from any part of the pulling vehicle).
- There is no restriction on the number of, diameter, or width, of driving wheels.
- Track laying mechanisms may be utilized.
- Tractors will be stopped if, by the judges, if they are perceived to be causing damage to the sidewalls or the surface of the track.

Weight:

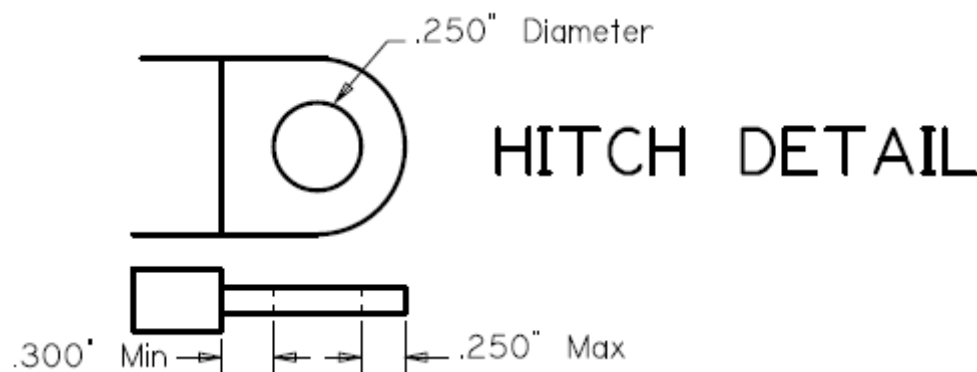
- Maximum vehicle weight (including batteries) 12 lbs.

Length:

- Maximum vehicle length - 14". Length shall include all parts of vehicle including hitch.

Width:

- Maximum vehicle width - 10.000" Where the widest points of the vehicle shall be at or below a height of 1 1/2" from the ground and designed to guide vehicle between the HDPE coated guide rails.

**Robot Identification:**

The MRG identification sticker(s) (as supplied while registering in the contest) must be easily readable on the robot's body while the robot is in competition.

MRG General Rules:

Failure to follow the MRG General Rules may result in the following:

Warning being issued.

Disqualification and loss of match.

Disqualification from competition and or event.